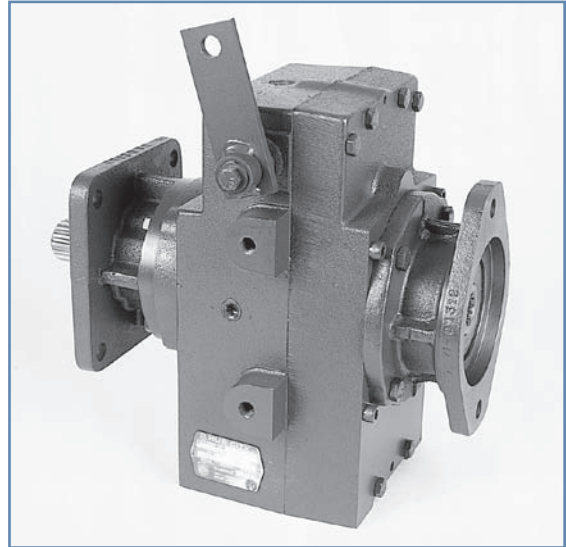




MODEL HT-100 SHIFTING TRANSMISSION

FEATURES

- Input and output shafts in-line.
- Shifting mechanism allows selection of neutral and two (2) ratios.
- Rugged cast iron housing designed for rigid gear and bearing support.
- Alloy shafting for greater strength.
- Heavy-duty ball bearings on input and output shafts.
- Needle bearings on pilot and counter shaft.
- Heat treated alloy steel gearing for strength and long wear life.
- Choice of 1:1 and two (2) standard gear ratios.
- Heavy-duty industrial seals to keep lubricant in and dirt out.
- Available with hydraulic flange or shaft input.
- HUB CITY lubricant recommended. (Refer to Section R)
- HT-100 manufactured to order only. Consult factory for price and delivery.



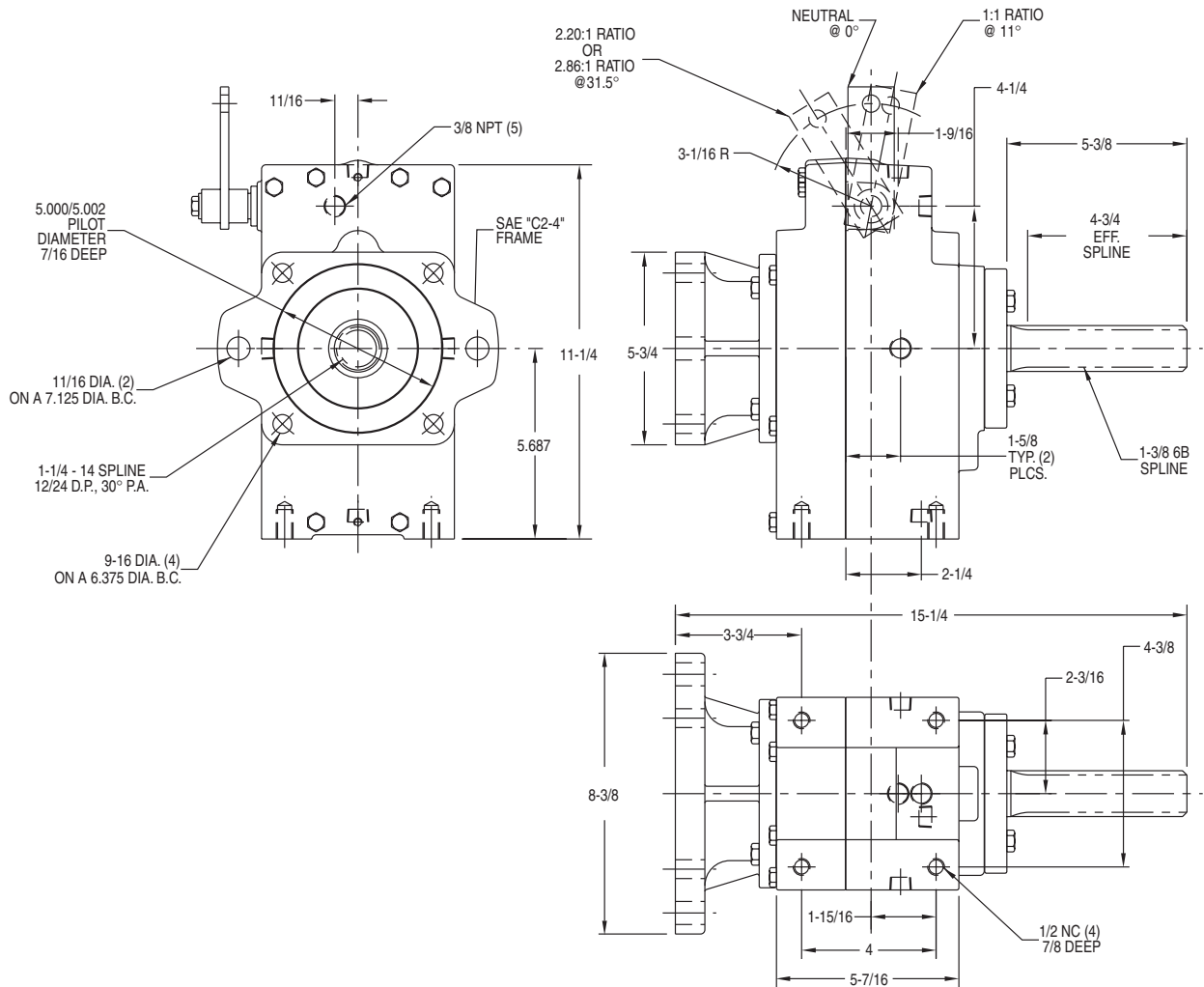
RATING TABLE

INPUT		RATIOS					
		1:1	AND	2.20:1	1:1	AND	2.86:1
1750	INPUT HORSEPOWER	32.8		22.7	32.8		15.9
	OUTPUT RPM	1750		797	1750		612
	OUTPUT TORQUE IN. LBS.	1181		1794	1181		1637
1150	INPUT HORSEPOWER	23.1		15.9	23.1		11.0
	OUTPUT RPM	1150		524	1150		402
	OUTPUT TORQUE IN. LBS.	1266		1915	1266		1725
850	INPUT HORSEPOWER	17.9		12.3	17.9		8.4
	OUTPUT RPM	850		387	850		297
	OUTPUT TORQUE IN. LBS.	1327		1997	1327		1772
690	INPUT HORSEPOWER	14.9		10.2	14.9		6.9
	OUTPUT RPM	690		314	690		241
	OUTPUT TORQUE IN. LBS.	1361		2049	1361		1804
100	INPUT HORSEPOWER	2.6		1.7	2.6		1.1
	OUTPUT RPM	100		46	100		35
	OUTPUT TORQUE IN. LBS.	1639		2370	1639		1981

OVERHUNG LOAD - INPUT 450 LBS.
OUTPUT 550 LBS.



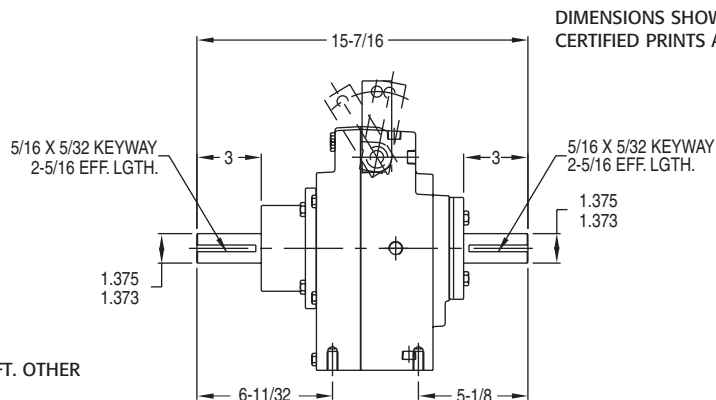
MODEL HT-100 SHIFTING TRANSMISSION



FOR LUBRICATION AND INSTALLATION INSTRUCTIONS - REFER TO SECTION R

DRY SHIPPING WEIGHT 65 LBS.

ALTERNATE INPUT DESIGN



DIMENSIONS SHOWN ARE FOR REFERENCE ONLY. CERTIFIED PRINTS ARE AVAILABLE UPON REQUEST.

Δ INDICATES HIGH SPEED SHAFT. OTHER STYLES AVAILABLE.

CONSULT FACTORY FOR VERTICAL SHAFT LUBRICATION RECOMMENDATIONS
INPUT SHAFT CAN BE ROTATED IN EITHER DIRECTION